

iPulse® IP1-STD (5-24V AC/DC)

P/N: 095-0002-001 Patent 7,536,584

Installation Quickguide

P/N: 040-0005-001

Parts List

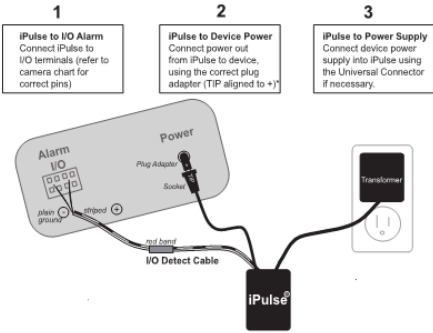
iPulse IP1-STD (with power out plug adapter socket).
Wire Nut
CD Rom
Connectors: iPulse to Device 2.1mm plug adapter
Transformer to iPulse 1.3mm plug adapter with 2.1mm plug and 1.7mm plug adapter 3 input jacks (1.3mm, EIAJ-04 plug adapter 1.7mm and EIAJ-04)

Before you start

Please check that iPulse's connectors are compatible with your device* and determine if you will use iPulse in Intelligent Mode (reset as needed) or in Timed Mode (reset every 12 hours). Please note that if your device does not have I/Os or if iPulse is not properly connected to I/O ports, then iPulse will default to Timed Mode. Refer to camera chart for correct I/O terminal connection.

Installation Steps

- Intelligent Mode:** Connect iPulse's I/O detect cable to device's Alarm I/O terminals (plain wire -/striped wire +).
Timed Mode: do not connect iPulse's I/O detect cable but twist wires and secure them with provided wire nut.
- Connect iPulse's power out cable to device by plugging the appropriate plug adapter into Socket (align TIP to +)*
- Plug device's power supply into iPulse. If necessary (not a 2.1mm plug), use Universal Connector.



Warning!

iPulse is not water resistant (humidity: 5 - 95% non-condensing, temperatures: 0 - 158 degrees F)

LED Operation IP1-STD

Green LED: Power Indicator
ON = Power On to device
OFF = Power Off to device
Flashing = 4 Hour Fault Mode

Yellow LED: Communication/Signal Status
Timed Mode: flashes every second
Intelligent Mode: Solid

Red LED: Operation Mode Indicator
ON = Intelligent Mode
OFF = Timed Mode
Flashing: signal not received by iPulse

* iPulse comes equipped with the most common connectors (2.1mm). If your device is not compatible with those, please call us to purchase alternative connectors or check your manual for information on connector modifications and safety precautions.