



Device Compatibility Tables

Version 1.0





iPulse®

Device Compatibility Chart

Notes:

1. If Intelligent Mode column is not checked, iPulse should only be used in Timed Mode.
2. iPulse PoE should only be used when PoE cameras are powered over Ethernet.
3. If more than one terminal strip number is listed for black and Brown wires, connect as follows: choose first numbers in each column or second numbers in each column.
4. In older iPulse units the striped black sensing wire is the Brown wire and the Solid black wire is the Black Wire

		iPulse® Options				
Camera Model	Intelligent Mode	Power over Ethernet	Power Connector	Brown Wire	Black Wire	Power
AV8185DN			Red+,Black-	Orange	Yellow	12-20VDC,24VAC

		iPulse® Options				
Camera Model	Intelligent Mode	Power over Ethernet	Power Connector	Brown Wire	Black Wire	Power
Axis 205				N/A	N/A	5DC
Axis 206			3.5x1.3x11mm	N/A	N/A	5-5.5VDC
Axis 206M			3.5x1.3x11mm	N/A	N/A	5-5.5VDC
Axis 206W			3.5x1.3x11mm	N/A	N/A	5-5.5VDC
Axis 207	√		3.5x1.3x11mm	4	1	5.1VDC
Axis 207 W/MW	√		3.5x1.3x9mm	4	1	4.9-5.1VDC
Axis 209FD/FDR/MFD						
Axis 210/210A	√		3.5x1.3x9mm	4	1	7-20DC
Axis 211/211A	√	√	3.5x1.3x9mm	4	1	7-20 VDC + PoE
Axis 211W	√	√	3.5x1.3x9mm	4	1	7-20DC + PoE
Axis 212PTZ			3.5x1.3x9mm			4.9-5.1VDC
Axis 213PTZ			2x0.75x(+) center	C-Mod	C-Mod	11.5-14VDC

Axis 214PTZ	√		2x0.75x(+) center	4	2	11-13VDC
Axis 215PTZ	√			4	1	11.5-12.5VDC
Axis 216FD/V-216MFD/V	√			1	4	4.9-5.1VDC
Axis 221	√	√		1/2	10	7-24VDC, 10-24VAC, PoE
Axis 223		√				7-24VDC, 10-24VAC, PoE
Axis 225FD	√	√		2	1	9-24VDC, 10-24VAC, PoE
Axis 231D+/232D+	√		Connection Module	Out1, Out2, Out3, Out4	Gnd	24-40 VDC, 19-28 VAC
Axis 233D+	√		Output Terminal Block	2/4/6/8	1/3/5/7	22-40 VDC, 18-30 VAC
Axis 240Q						
Axis 241S/SA/Q/QA			3.5x1.3x9mm			
Axis Q7401	√	√	Terminal Strip	4	1	10-24 VDC, PoE
Axis 242SIV						
Axis 243SA						
Axis 2100						
Axis 2110						
Axis 2120						
Axis 2130						
Axis 2400						
Axis 2401						
Axis 2411						
Axis 2415						
Axis 2415Q						

**iPulse®
Options**

Camera Models	iPulse® Options		Power Connector	Brown Wire	Black Wire	Power
	Intelligent Mode	Power over Ethernet				
VideoJet	√		GND, +	R1, R2, R3, R4	R1, R2, R3, R4	10-30VDC
IP AutoDome	√		DOME24VAC	OUT1,OUT2,OUT3,COM	AGND,AGND,AGND,NO	24VAC

* requires firmware 3.x or greater, Outputs should be enable and configured to trigger manually

**iPulse®
Options**

Camera Models	iPulse® Options		Power Connector	Brown Wire	Black Wire	Power
	Intelligent Mode	Power over Ethernet				
VB-C50iR*	√		EIAJ-04, 5.5x3.3x4mm	1B/2B/3B	1A/2A/3A	13VDC
VB-C50FSi*	√	√	EIAJ-04	1B/2B/3B	1A/2A/3A	13VDC
VB-C60	√	√	Terminal Strip	1B/2B	1A/2A	12-13VDC or 24VAC, PoE
VB-C300	√	√	Terminal Strip	A	B	12-13VDC or 24VAC, PoE

* requires a VB-EX50 connection module for I/Os

**iPulse®
Options**


Camera Models	iPulse® Options		Power Connector	Brown Wire	Black Wire	Power
	Intelligent Mode	Power over Ethernet				
CAS200	√		5.5x2.1x4mm	5/7	6/8	5VDC
CAS390	√		5.5x2.1x4mm	5/7	6/8	5VDC
CAS790	√		5.5x2.1x4mm	5/7	6/8	5VDC
VIS2101	√			5/7	6/8	


D-Link		iPulse® Options				
Camera Models	Intelligent Mode	Power over Ethernet	Power Connector	Brown Wire	Black Wire	Power
DCS900						
DCS950/950G						
DCS1000	√		5.5x2.1x4mm	5/7	6/8	5VDC
DCS1100						
DCS2000/2100/2100G	√		5.5x2.1x4mm	4	3	12VDC
DCS3220/3220G	√		5.5x2.1x4mm	4	3	12VDC
DCS3420						
DCS5220/5330/5300G	√		5.5x2.1x4mm	4	3	12VDC
DCS6620/6220G	√		5.5x2.1x4mm	4	3	12VDC

HAWKING TECHNOLOGY		iPulse® Options				
Camera Models	Intelligent Mode	Power over Ethernet	Power Connector	Brown Wire	Black Wire	Power
HNC200/200w	√		5.5x2.1x4mm	5 or 7	6 or 8	5VDC
HNC300/300W/320G	√		5.5x2.1x4mm	5 or 7	6 or 8	5VDC
HNHC700PT/720G	√		5.5x2.1x4mm	4	3	12VDC
NHC800G/800PTZ	√		5.5x2.1x4mm	4	3	12VDC

Ikegami		iPulse® Options				
----------------	--	------------------------	--	--	--	--

Camera Models	Intelligent Mode	Power over Ethernet	Power Connector	Brown Wire	Black Wire	Power
IPDQ01	√		Terminal Strip	+	Ground	12VDC/24VAC

 IQinvision		iPulse® Options				
IQeye Camera Models	Intelligent Mode	Power over Ethernet	Power Connector	Brown Wire	Black Wire	Power
IQ300						12-33VDC/12-28VAC
IQ700/750		√				12-24VDC/24VAC or PoE
IQ753	√			4	3	
IQVerify		√				PoE

		iPulse® Options				
Camera Models	Intelligent Mode	Power over Ethernet	Power Connector	Brown Wire	Black Wire	Power
VNC10						
VNC20	√	√		1/2	Gnd Pin	24VAC or PoE
VNC30	√		+/- terminals	1/2	5	24VAC
VNC205U	√			1/2	5	
VNC215VP4U	√			1/2	5	
VNV25U	√	√	+/- terminals	1/2	Gnd Pin	24VAC or PoE
VNV26U	√	√	+/- terminals	1/2	Gnd Pin	24VAC or PoE
VNV686U	√		+/- terminals	5,7	6/8	24VAC
VNV686WPU	√		+/- terminals	5,7	6/8	24VAC

		iPulse® Options				
---	--	-----------------	--	--	--	--

Camera Model	Intelligent Mode	Power over Ethernet	Power Connector	Brown Wire	Black Wire	Power
BLC1A				N/A	N/A	
BLC10A				N/A	N/A	9VDC
BLC20A				N/A	N/A	
BLC30A				N/A	N/A	
BLC111A						
BLC3111A						
KXHCM8	√		5.5x2.1x4mm	4	1	
KXHCM110	√		5.5x2.1x4mm	3	G	
KXHCM230			EIAJ-04, 5.5x3.3x4mm			
KXHCM250	√		EIAJ-04, 5.5x3.3x4mm	4	1	
KXHCM270	√		EIAJ-04, 5.5x3.3x4mm	4	1	
KXHCM280	√		EIAJ-04, 5.5x3.3x4mm	4	1	
BBHCM311	√		EIAJ-04, 5.5x3.3x4mm	3	G	
BBHCM331A	√		EIAJ-04, 5.5x3.3x4mm	3	G	
BBHCM371	√		EIAJ-04, 5.5x3.3x4mm	3	G	
BBHCM381	√		EIAJ-04, 5.5x3.3x4mm	3	G	AC
BBHCM515	√		EIAJ-04, 5.5x3.3x4mm			
BBHCE481	√	√	EIAJ-04, 5.5x3.3x4mm	3	G	PoE and
WVNF284		√				PoE
WVNM100						9VDC
WVNM1004						24 VAC
WVNP240						
WVNP244		√				12/24 AC/DC or PoE
WVNP472						12VDC
WVNS202				3	4	12VDC*
WVSC385	√	√		3	4	12VDC or PoE*

**For WVSC385 Use Aux Output Terminal (Terminal #3) . Log in to the camera from the browser. On the setup Screen go to the "Alarm" menu Item and for Terminal #3 select "Aux output" from the list box.*

**For WVNS202 in the Alarm Setup Page select Terminal 2 and set as Alarm Output.*

PELCO		iPulse® Options				
Camera Model	Intelligent Mode	Power over Ethernet	Power Connector	Brown Wire	Black Wire	Power
Net350T	√		RJ11-inner Wires	Bottom 2 nd from left	Top 2 nd from left	12VDC/24VAC
Net350R						

SONY		iPulse® Options				
Camera Model	Intelligent Mode	Power over Ethernet	Power Connector	Brown Wire	Black Wire	Power
SNC-CS10	√		2 Pin Terminal	1	2	
SNC-CS11	√		2 Pin Terminal	1	2	
SNC-CS50	√		2 Pin Terminal	5/7	6/8	
SMC-M3/M3W			EIAJ-04, 5.5x3.3x4mm			
SNC-RZ25N	√		2 Pin Terminal	5/7	6/8	12/24 AC/DC
SNC-RZ30N	√		EIAJ-04, 5.5x3.3x4mm	8/10	7/9	12 VDC
SNC-RZ50N	√		EIAJ-04, 5.5x3.3x4mm	5/7	6/8	12 VDC
SNC-RX550N	√		2 Pin Terminal	5/7	6/8	12/24 AC/DC
SNC-Z20N	√	√	2 Pin Terminal	3/5	4/6	12/24 AC/DC or PoE
SNC-DF40N	√	√	2 Pin Terminal	3/5	4/6	12/24 AC/DC or PoE
SNC-DF50N/DF50P	√	√	2 Pin Terminal	3/5	4/6	12/24 AC/DC or PoE
SNC-DF70N	√	√	2 Pin Terminal	3/5	4/6	12/24 AC/DC or PoE
SNC-DF80N/DF80P	√		2 Pin Terminal	3/5	4/6	
SNC-P1	√		EIAJ-04, 5.5x3.3x4mm	1	2	12VDC
SNC-P5	√		EIAJ-04, 5.5x3.3x4mm	1	2	12VDC
SNT-V704	√		EIAJ-04, 5.5x3.3x4mm	14/16/18/20	13/15/17/19	12VDC

* For SNC-RZ25, SNC-RZ50N SNC-RZ30N, and SNC-RX550N, and SNC-RX570N you will need to log into the camera from a browser, go to the "Trigger" Page and make sure that either "Alarm output1" or "Alarm output2" are enabled (box checked) depending on whether you connect iPulse to alarm1 output or alarm2 output. You then select either SNC-RXXXXN-io1, or SNCRXXXXN-io2 from the iPulse software.

TOSHIBA

		iPulse® Options				
Camera Model	Intelligent Mode	Power over Ethernet	Power Connector	Brown Wire	Black Wire	Power
IK-WB01A						
IK-WB02A		√	2 Pin Terminal	N/A	N/A	12/24 AC DC or PoE
IK-WB011A						
IK-WB015A		√	EIAJ-04			12VDC or PoE
IK-WB021A			EIAJ-04			12VDC
IK-WR01A				N/A	N/A	
IK-WBx1A						
IK-wr01A		√				12/24 AC/DC or PoE



		iPulse® Options				
Camera Model	Intelligent Mode	Power over Ethernet	Power Connector	Brown Wire	Black Wire	Power
TVIP100	√		5.5x2.1x4mm	5/7	6/8	5VDC
TVIP200/200w	√		5.5x2.1x4mm	5/7	6/8	5VDC
TVIP201	√		5.5x2.1x4mm	5/7	6/8	5VDC
TVIP400	√		5.5x2.1x4mm	4	3	12VDC



		iPulse® Options				
Camera Model	Intelligent Mode	Power over Ethernet	Power Connector	Brown Wire	Black Wire	Power
IP2111/IP2121						DC
IP2112/IP2122						DC
IP3111/IP3121	√		5.5x2.1x4mm	4	3	12VDC
IP3112/3122/3132	√		5.5x2.1x4mm	4	3	12VDC
IP3133	√		5.5x2.1x4mm	4	3	12VDC
IP3135				N/A	N/A	5VDC



**iPulse®
Options**

Camera Model	Intelligent Mode	Power over Ethernet	Power Connector	Brown Wire	Black Wire	Power
IP3136/3137				N/A	N/A	5VDC
IP6112/6122/6114/6124	√		5.5x2.1x4mm	2	1	12VDC
IP6117	√		5.5x2.1x4mm			DC
IP6127						
IP7131	√		5.5x2.1x4mm	1	4	12VDC
IP7132	√			1	4	DC
IP7135						5VDC
IP7137						DC
IP7138	√			1	4	
IP7151/7152	√		5.5x2.1x4mm	2	4	24VDC
PT3112	√		5.5x2.1x4mm	4	3	12VDC
PT3113	√		5.5x2.1x4mm	4	3	12VDC
PT3114/3124	√		5.5x2.1x4mm	4	3	12VDC
PT3117/3127	√		5.5x2.1x4mm	4	3	12VDC
PT3122/3123						
PT3124						
PT3125						
PT7135						12VDC
PT7137						DC
PZ6112/6114/6122/6124	√		5.5x2.1x4mm	4	3	12VDC
PZ7137						DC
FD6111/6121V	√			1	2	
FD6112/6122V	√			2	4	12VDC
FD7131	√			1	2	
SD6112V/6122V						DC
VS2100			5.5x2.1x4mm			12VDC
VS2102			5.5x2.1x4mm			
VS2402						DC
VS2403						
VS3100P	√		5.5x2.1x4mm	4	3	12VDC
VS3101			5.5x2.1x4mm			12VDC
VS3102	√		5.5x2.1x4mm	4	3	12VDC



**iPulse®
Options**

Camera Model	Intelligent Mode	Power over Ethernet	Power Connector	Brown Wire	Black Wire	Power
IPXDDK1000						
IPXDDK3000	√		5.5x2.1x4mm	4	3	12VDC
IPXDDK7000						



**iPulse®
Options**

Camera Model	Intelligent Mode	Power over Ethernet	Power Connector	Brown Wire	Black Wire	Power
E104NP						DC
EVS100						DC
EVS400						DC
IPVS1	√		5.5x2.1x4mm	4	3	DC
IPVS100						DC
IPVS1A	√		5.5x2.1x4mm	4	3	DC
IPVS1E	√		5.5x2.1x4mm	4	3	DC
IPVS4						DC
W2100	√		5.5x2.1x4mm	2	1	12VDC
WL30				N/A	N/A	5VDC
W40/L40	√		5.5x2.1x4mm	4	3	12VDC
W50	√		5.5x2.1x4mm	4	3	12VDC
W60	√		5.5x2.1x4mm	4	3	12VDC
W70	√		5.5x2.1x4mm	4	3	12VDC
W80/L80/80z/80IR	√		5.5x2.1x4mm	1	1	12VDC
WLPTG	√		5.5x2.1x4mm	4	3	12VDC
WPT	√		5.5x2.1x4mm	4	3	12VDC
WPTZ/LPTZ	√		5.5x2.1x4mm	4	3	12VDC
WFD/FDV	√			2	4	DC

Notes:

1. If Intelligent Mode is not checked, iPulse should only be used in Timed Mode.
2. iPulse PoE should only be used when PoE cameras are powered over Ethernet.
3. If more than one terminal strip number is listed for black and brown wires, connect as follows: choose first numbers in each column or second numbers in each column.

Modems



		iPulse® Options				
Modem Model	Intelligent Mode	Power over Ethernet	Power Connector Terminal Strip	Serial Cable Green	Serial Cable red	Power
BT-6621	√		Striped Orange (GND) Striped Red (PWR+)	Black	Brown	DC



		iPulse® Options				
Modem Model	Intelligent Mode	Power over Ethernet	Power Connector Terminal Strip	Serial Cable Green	Serial Cable Red	Power
BT-6621	√		Striped Orange (GND) Striped Red (PWR+)	Black	Brown	DC
BT-6600	√		Striped Orange (GND) Striped Red (PWR+)	Black	Brown	DC

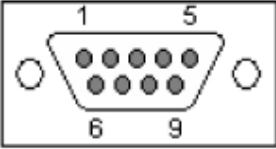
TxD Pin is Pin 2 on the Female DB9 on the Blue Tree, connect Brown wire to 2 and Bqack to Ground (Pin 5)

Digi standard DB9 Male pinout

The wiring diagram for the DB-9 connector is shown in Table 1.

Table 1: DB-9 connector

DB-9	Direction	Signal
1	→	DCD
2	→	RxD
3	←	TxD
4	←	DTR
5	↔	SG
6	→	DSR
7	←	RTS
8	→	CTS
9	→	RI



Male